

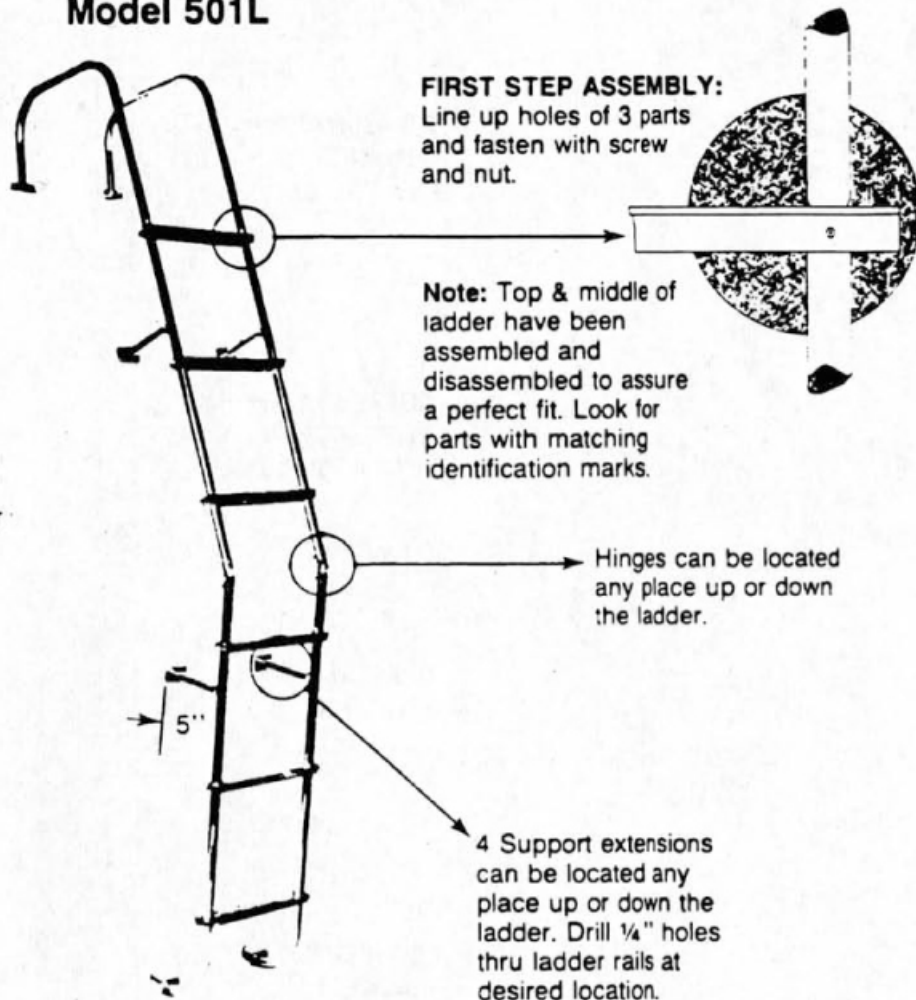
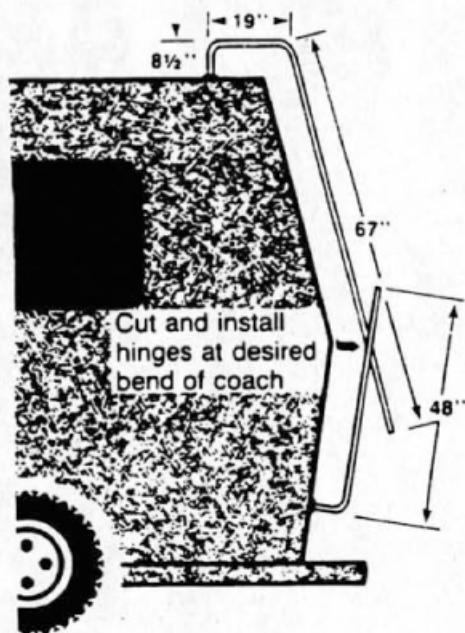
INSTRUCTION SHEET UNIVERSAL MOTORHOME LADDER Model 501L

INSTALLATION

YOU WILL NEED:

- Drill with 3/16" and 1/4" bits
- Phillips-point Screwdriver
- Hack saw or Tube cutter
- 32 Mounting screws (provided)

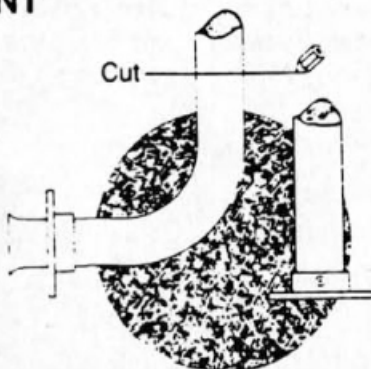
1. Measure distance to bend of coach.
2. Cut and install hinges at desired bend point. (See hinge assembly detail below)
3. Locate desired points for the 4 support extensions.
4. Drill 1/4" holes thru ladder at desired locations and install supports.
5. Install on coach at desired location. (For bumper mounting, see detail below.)



FOR BUMPER MOUNT

1. Cut to desired length and remove flange
2. Drill 3/16" hole through Flange and Tube. Install with No. 10 x 1 1/2" screw and nut from extra step.

Note: 6 steps are needed for bumper mounting.



HINGE ASSEMBLY:

1. Drill hole through one side of tubing. Drill 3/16" holes 5/16" from the end of tubing.
2. Position hinge inside tubing so cross-hole lines up with hole in tubing.
3. Run drill through lined-up holes and drill through other side of tubing.
4. Fasten with screw and nut.



ADDENDUM
Instructions for Motorhome Ladder
(501L)

Please use the following instructions if your motorhome has a radiused roof.

